

# HIGH-INTENSITY LED-135ER LED WORK LIGHT



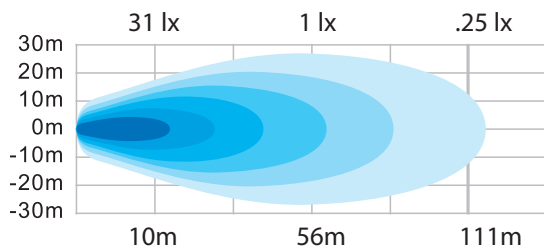
LED Chip: OSRAM



RoHS Compliant

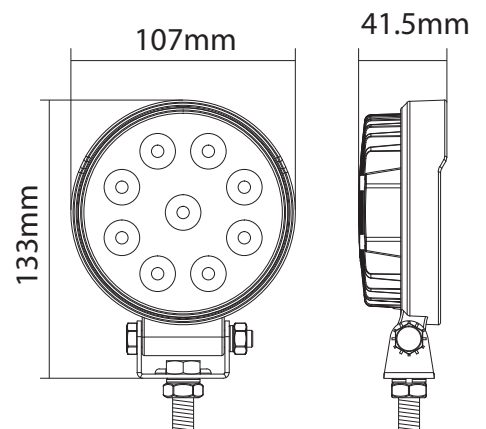


## 1. Beam Pattern



Flood Beam

## 2. Dimensions



## 3. Technical Data

Certificates: CE, RoHS, IP69K, ECE R10, R23

Model	LED Chip	Power	Raw Lumens	Current Draw	Optional Beam	Temperature	Operating Voltage	Lux 10/m	m/1lx	m/0.25lx
LED-135ER	OSRAM	9*1.5W	1710lm	1.25A@12V 0.625A@24V	60° Flood	6,000K	10-30V DC	31lx	56m	111m

\* Note: Actual power and lumens will be determined by external environmental conditions.